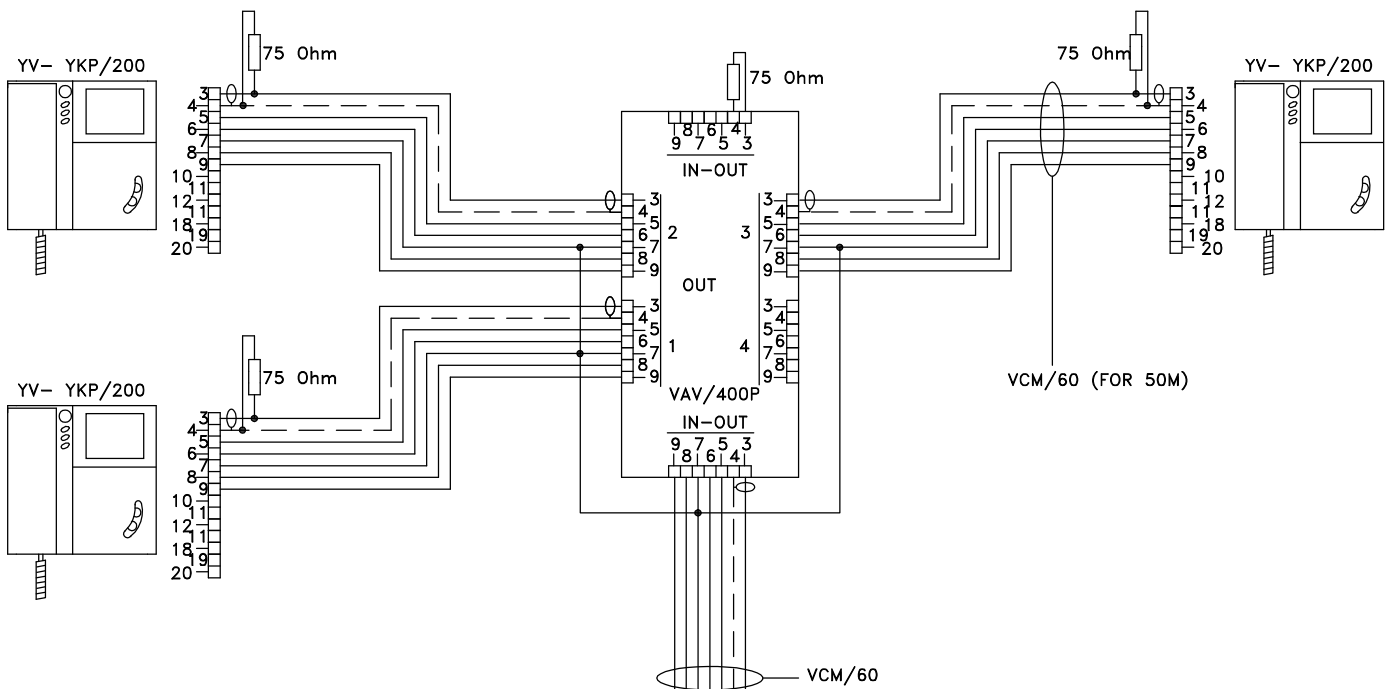


NOTE: CABLE EQUIVALENTS

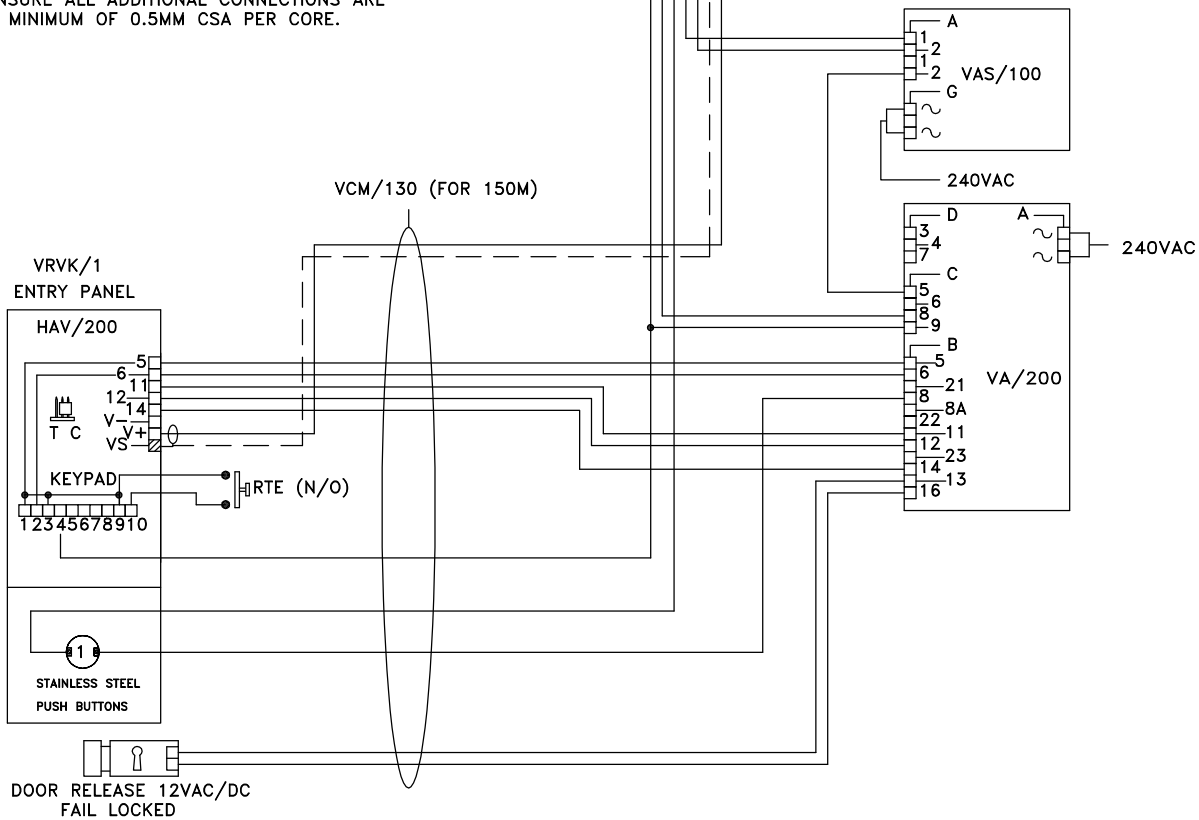
VCM/130 = RG59 COAX + 4 CORES @ 1.0MMSQ + 8 CORES @ 0.5MMSQ

VCM/60 = RG59 COAX + 2 CORES @ 1.0MMSQ + 3 CORES @ 0.5MMSQ



NOTE:  
THIS DRAWING INDICATES AND ASSUMES THE USE OF  
BPT COMPOSITE CABLES OR A SUITABLE EQUIVALENT.

ENSURE ALL ADDITIONAL CONNECTIONS ARE  
A MINIMUM OF 0.5MM CSA PER CORE.



BPT (UK) LTD.  
HERTS. ENGLAND

PREPARED FOR  
INSTALLER INFORMATION

DATE: 03/02/05 DRAWN: RC

REVISED:

DRAWING TITLE:

SINGLE HOUSE INSTALLATION USING 1 VR  
VIDEO ENTRY PANEL WITH KEYPAD

DRAWING No: B-1V1Y3LK(A)